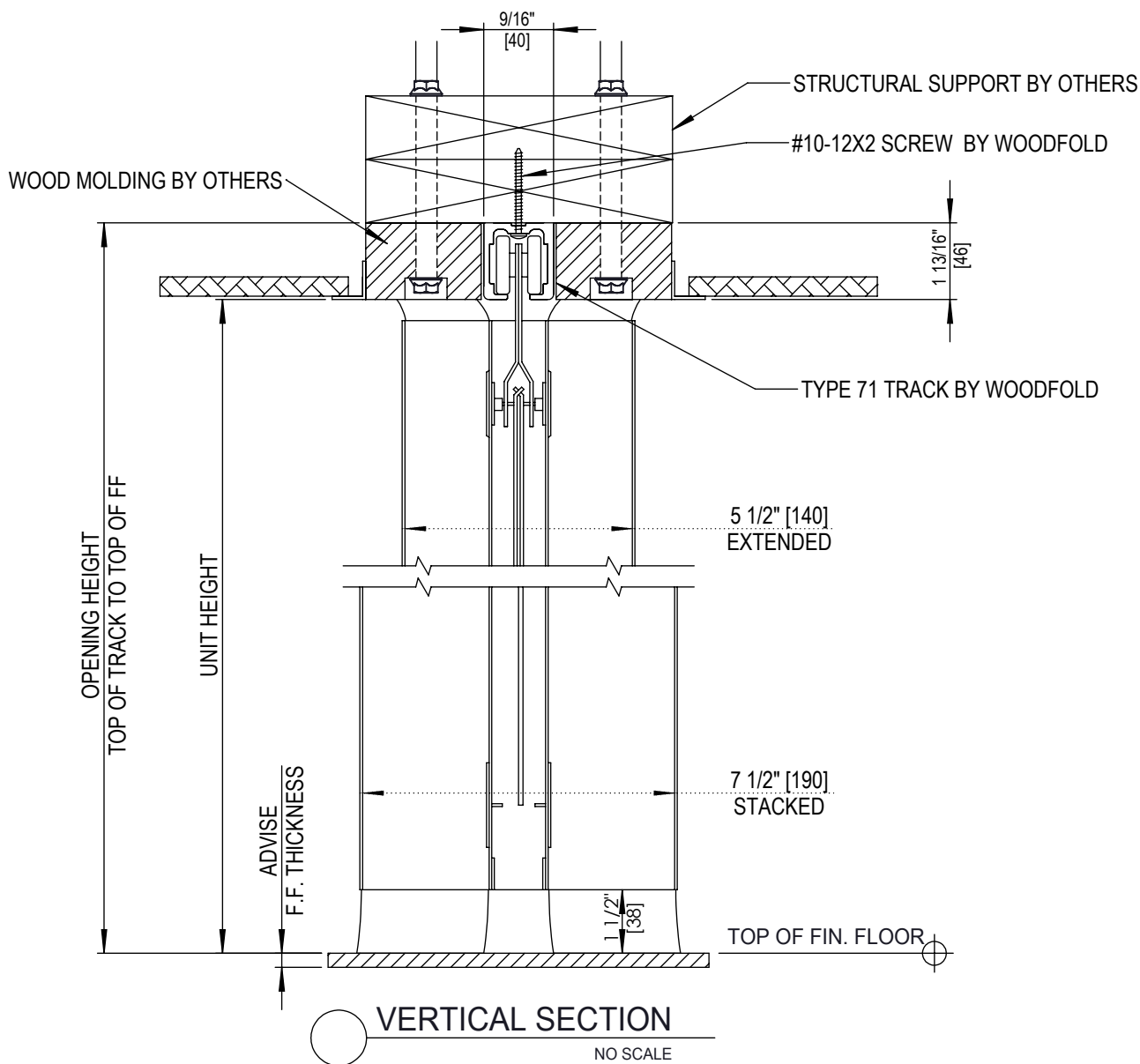




WOODFOLD
ACOUSTIC
ACCORDION PARTITION

DISTRIBUTOR:



VERTICAL SECTIONS

PROJECT:

SHEET NAME:

DATE:

DRAWN BY:

ORDER#

Track Type 71



WOODFOLD
ACOUSTIC
ACCORDION PARTITION

DISTRIBUTOR:

PROJECT:

DATE:

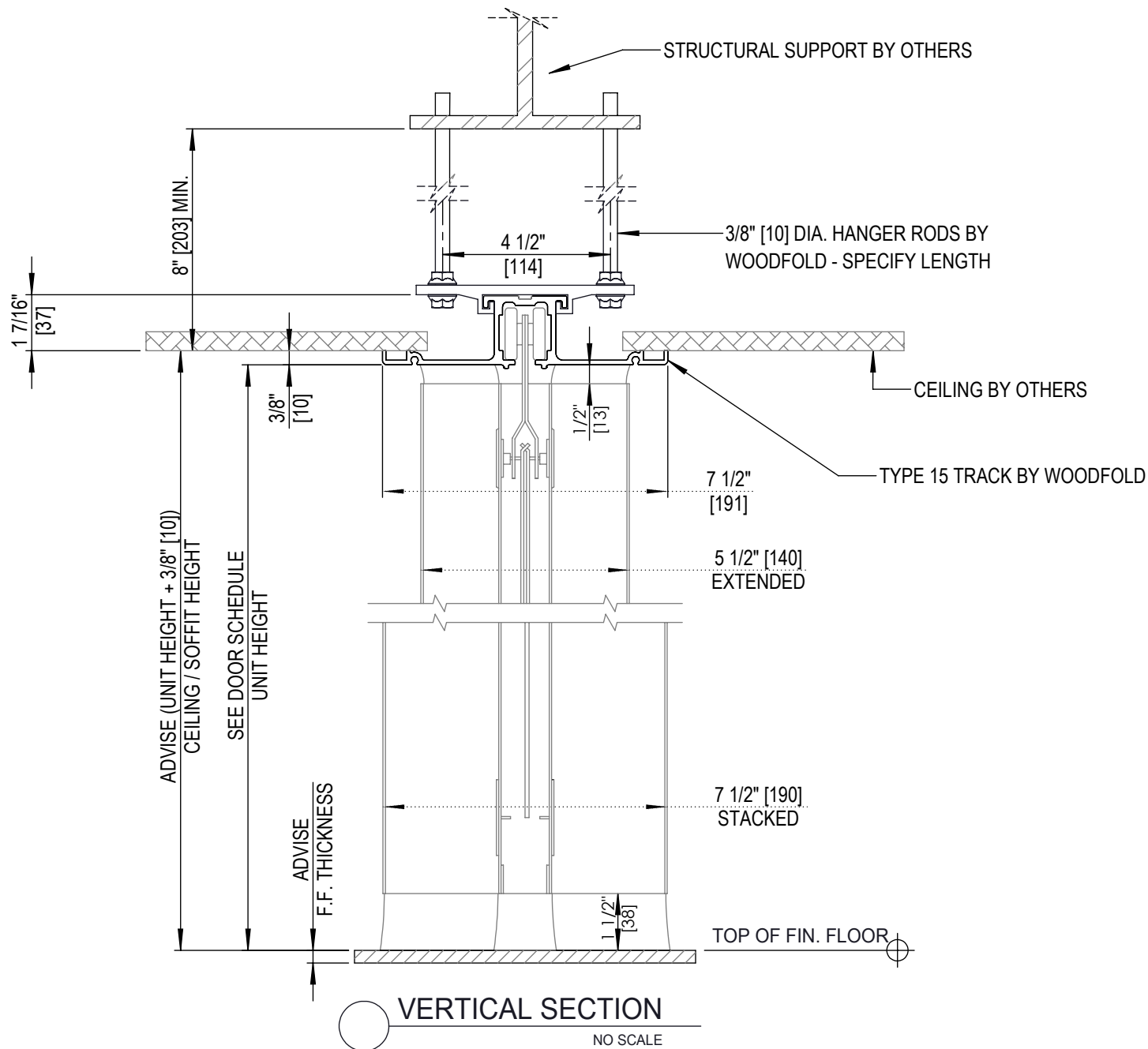
DRAWN BY:

ORDER#

VERTICAL SECTIONS

SHEET NAME:

Track Type 15
Suspended





WOODFOLD
ACOUSTIC
ACCORDION PARTITION

DISTRIBUTOR:

PROJECT:

DATE:

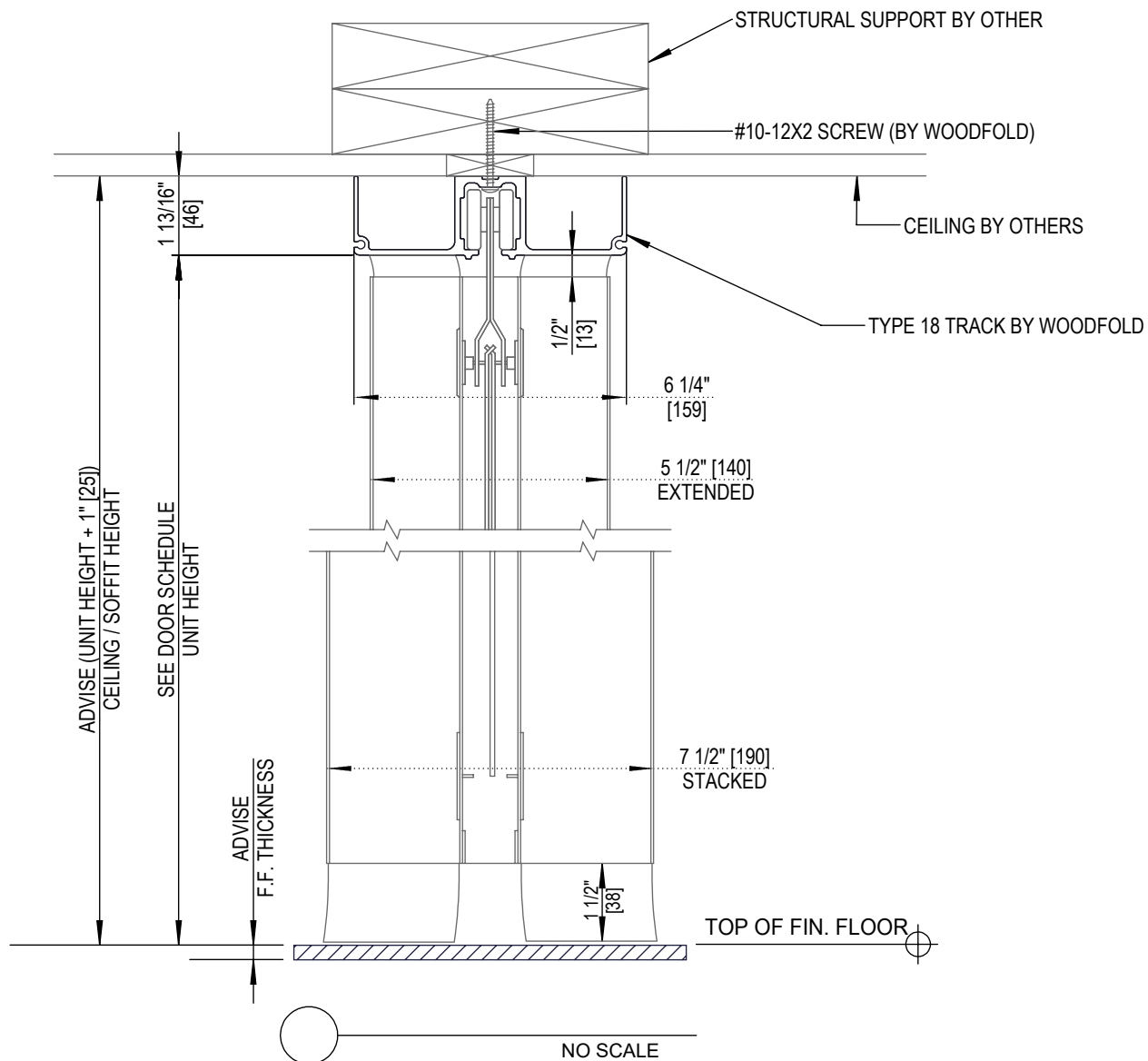
DRAWN BY:

ORDER#

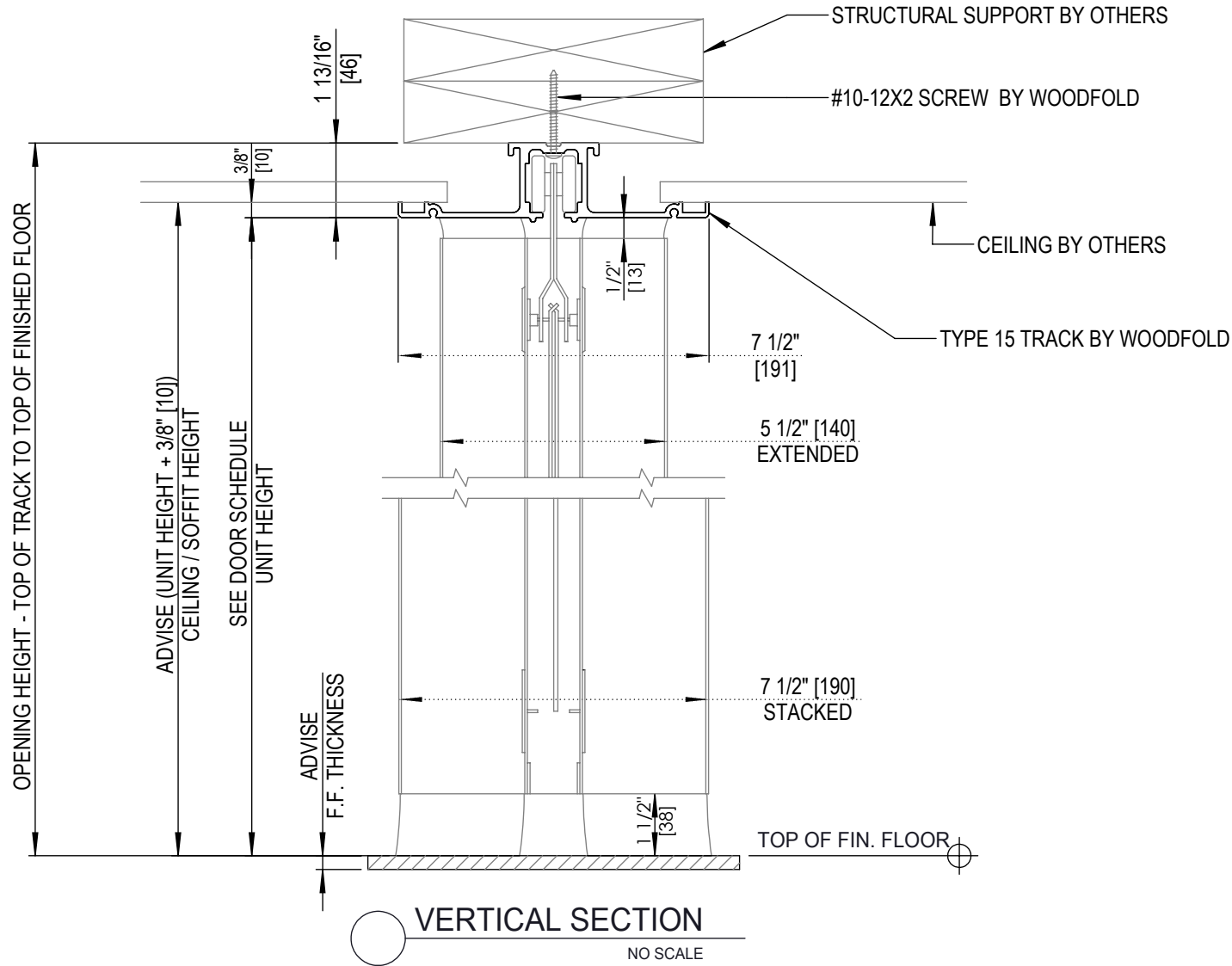
Track Type 18

VERTICAL SECTIONS

SHEET NAME:



*WOODFOLD DOES NOT RECOMMEND THE USE OF YELLOW PINE OR OTHER SOFT WOODS IN THE CONSTRUCTION OF SUPPORT ELEMENTS WHERE THE TRACK IS ATTACHED BY WOOD SCREWS OR LAG BOLTS.
 *WOODFOLD DOES NOT RECOMMEND DIRECT ATTACHING TRACKS WITH DOORS WEIGHING OVER 500LBS.



WOODFOLD
 ACOUSTIC
 ACCORDION PARTITION

DISTRIBUTOR:

PROJECT:

VERTICAL SECTIONS

SHEET NAME:

DATE:

DRAWN BY:

ORDER#

Track Type 15