



WOODFOLD
ACCORDION DOORS

DISTRIBUTOR:

PROJECT:

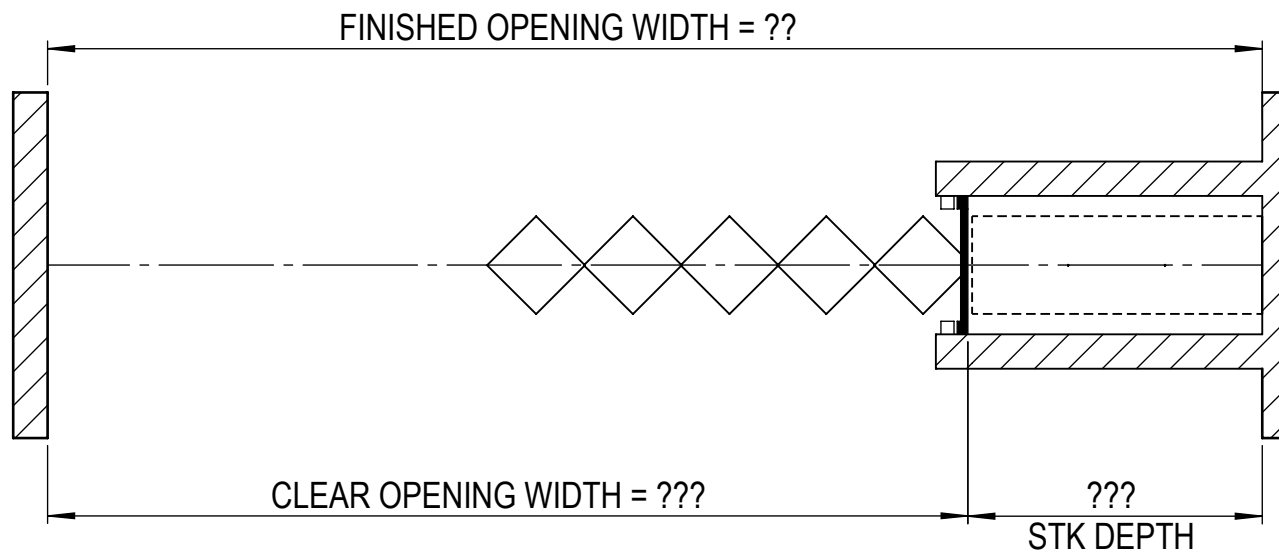
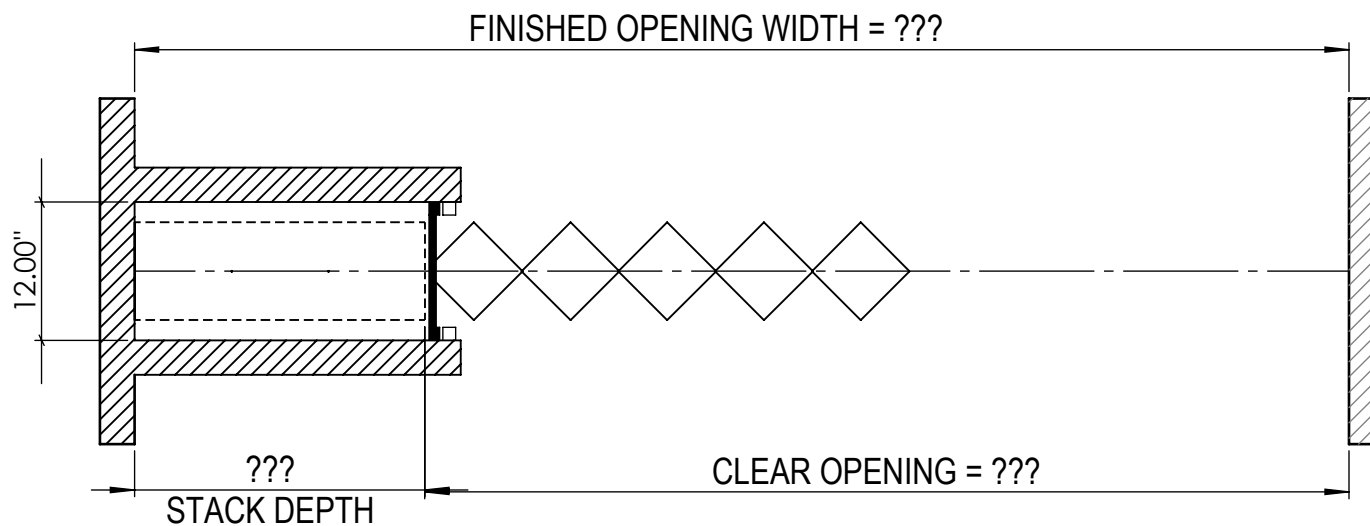
DATE:

DRAWN BY:

ORDER#

SHEET NAME:

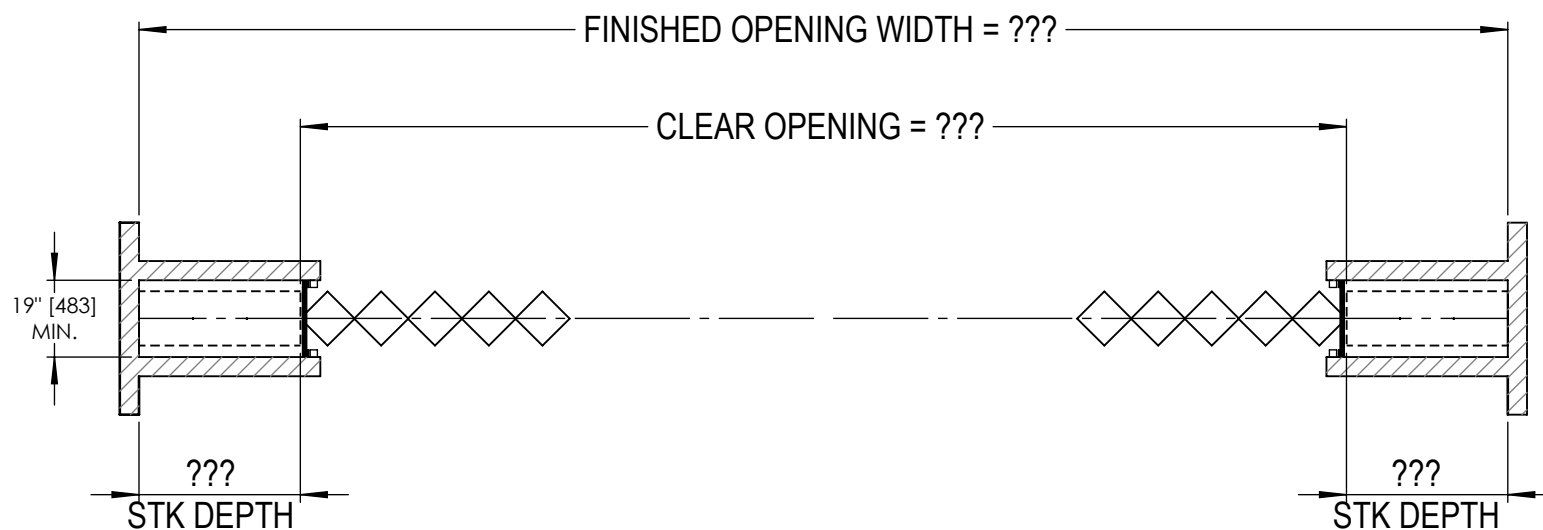
COVER SHEET / DOOR SCHEDULE





**WOODFOLD
ACCORDION DOORS**

DISTRIBUTOR:



PROJECT:

SHEET NAME:

ELEVATION / FLOOR PLAN

DATE:

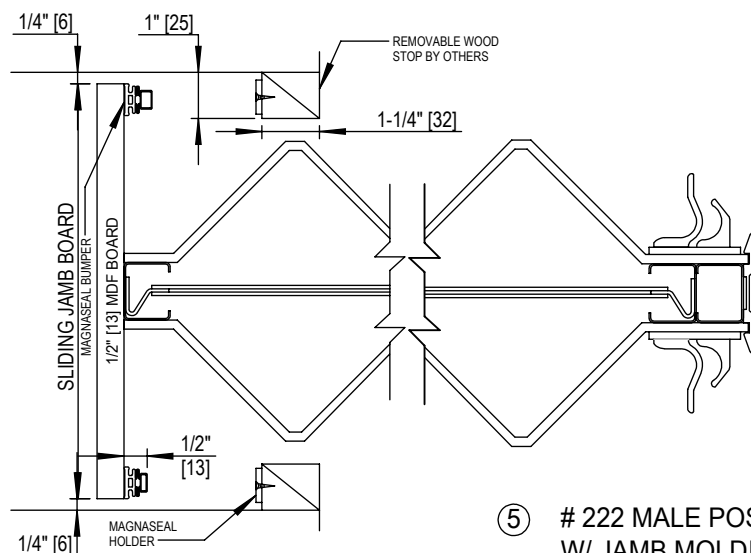
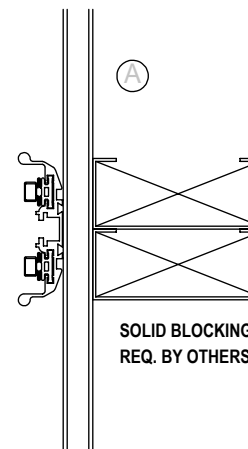
DRAWN BY:

ORDER#

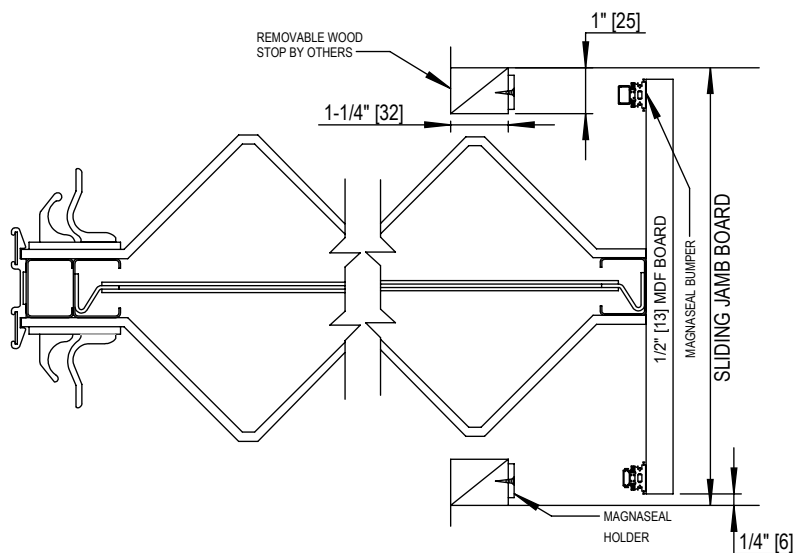


WOODFOLD ACCORDION DOORS

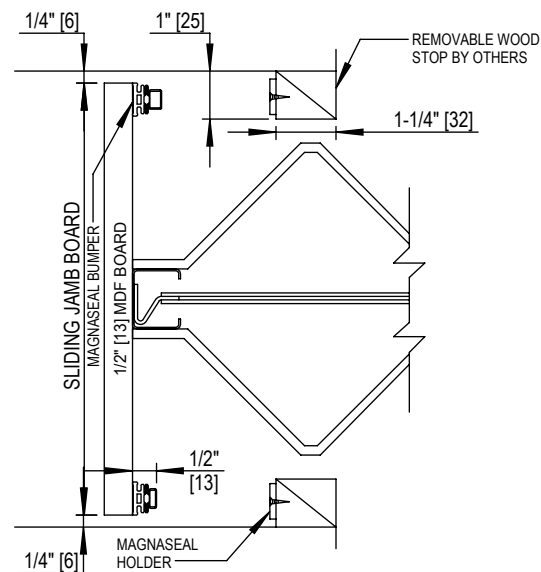
DISTRIBUTOR:



SLIDING JAMB BOARD



SLIDING JAMB BOARD



SLIDING JAMB BOARD

VERTICAL SECTIONS

PROJECT:

SHEET NAME:

DATE:

DRAWN BY:

ORDER#