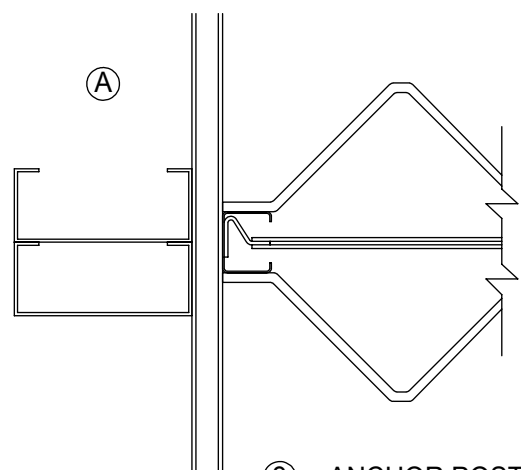


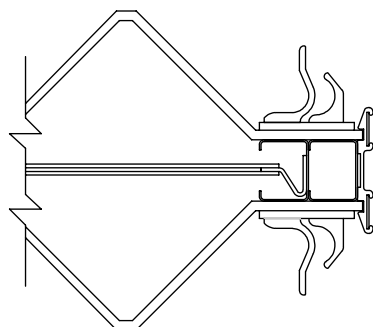


**WOODFOLD  
ACOUSTIC  
ACCORDION PARTITION**

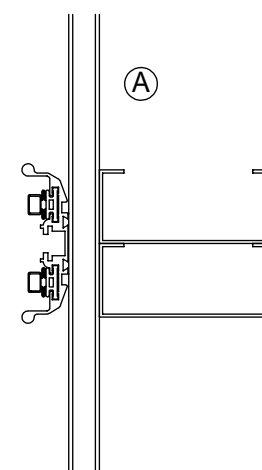
DISTRIBUTOR:



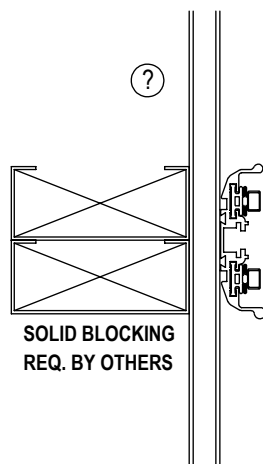
③ ANCHOR POST



⑤ # 222 MALE POST  
W/ JAMB MOLDING

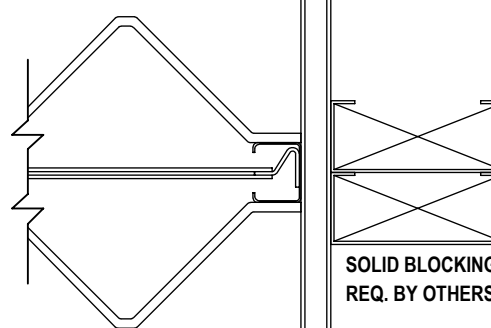
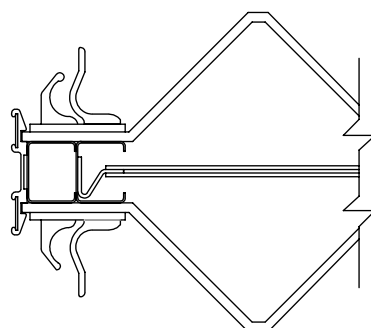


HORIZONTAL SECTIONS  
NO SCALE



SOLID BLOCKING  
REQ. BY OTHERS

⑦ # 222 MALE POST  
W/ JAMB MOLDING



ANCHOR POST ⑦

SOLID BLOCKING  
REQ. BY OTHERS

PROJECT:

SHEET NAME:

**SCHEDULE / FLOOR PLAN**

DATE:

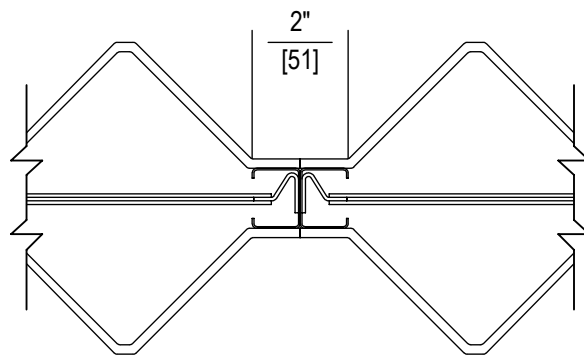
DRAWN BY:

ORDER#

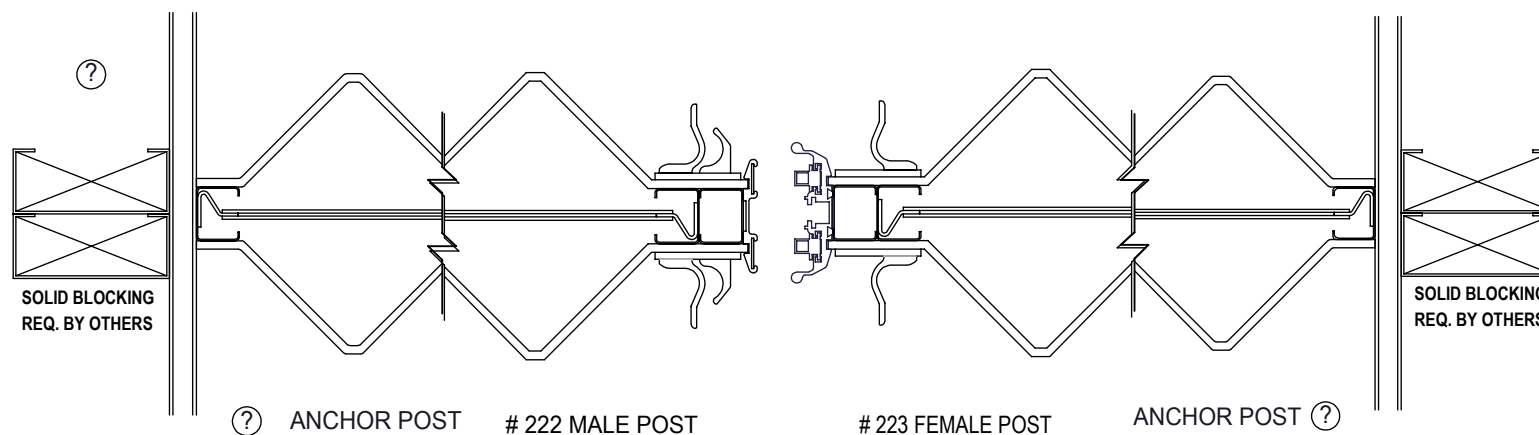


**WOODFOLD  
ACOUSTIC  
ACCORDION PARTITION**

DISTRIBUTOR:



INTERMEDIATE 'TYPE-B' POST



**ELEVATIONS**

PROJECT:

SHEET NAME:

DATE:

DRAWN BY:

ORDER#



**WOODFOLD**  
ACOUSTIC  
ACCORDION PARTITION

DISTRIBUTOR:

**VERTICAL SECTIONS**

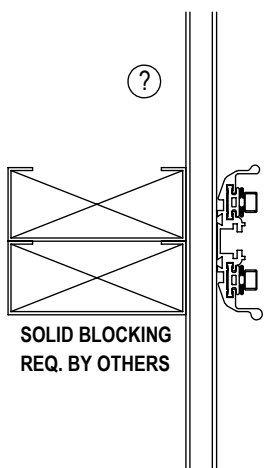
PROJECT:

SHEET NAME:

DATE:

DRAWN BY:

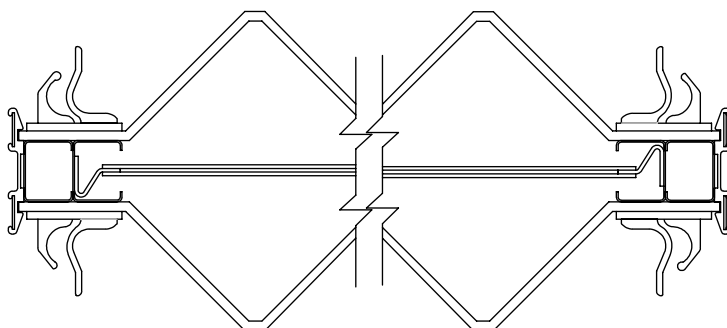
ORDER#



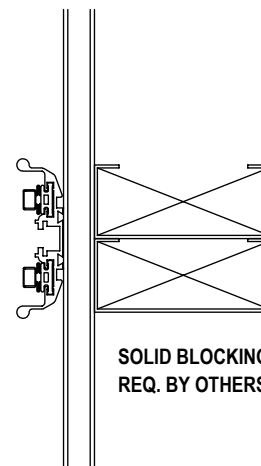
SOLID BLOCKING  
REQ. BY OTHERS

?

# 222 MALE POST  
W/ JAMB MOLDING

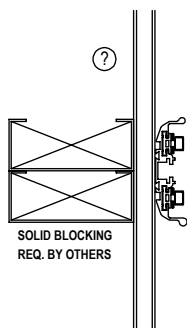


# 222 MALE POST  
W/ JAMB MOLDING



SOLID BLOCKING  
REQ. BY OTHERS

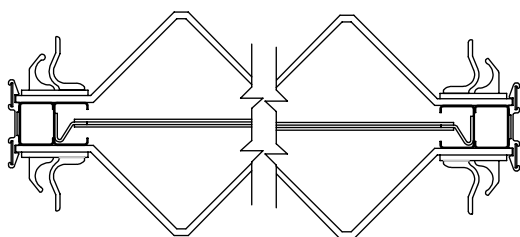
?



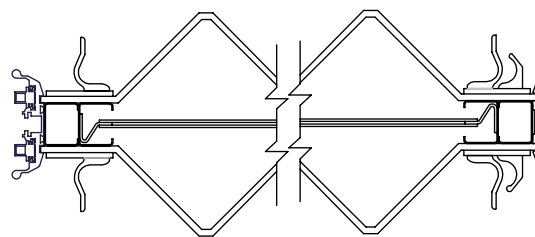
SOLID BLOCKING  
REQ. BY OTHERS

?

# 222 MALE POST  
W/ JAMB MOLDING

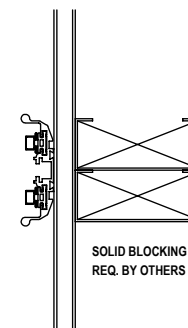


# 222 MALE POST



# 223 FEMALE POST

# 222 MALE POST  
W/ JAMB MOLDING



SOLID BLOCKING  
REQ. BY OTHERS